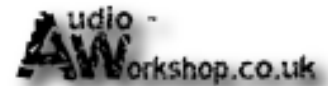


PRODUCT SPARE PARTS INFO:

MANF: RCF spa



Unit 17 Lynderswood Farm
London Road, Black Notley
Braintree, Essex CM77 8QN
Tel: 01245 361578
Fax: 01245 361357

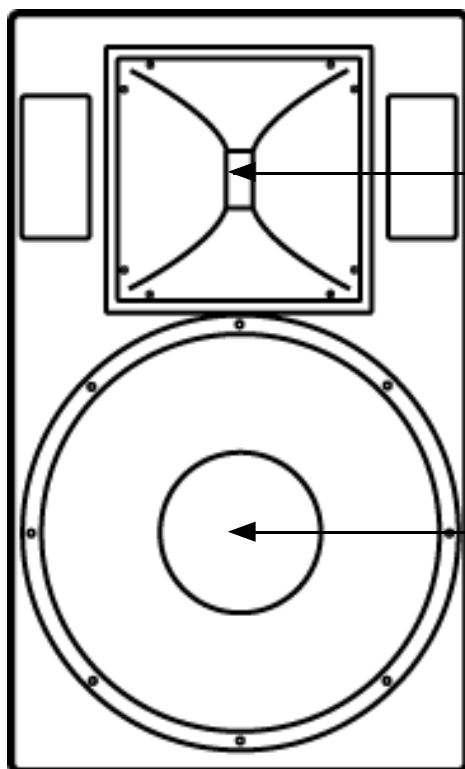
email: sales@audio-workshop.co.uk

MODEL: Vision Series PA 151 - 2 way speaker system

DESCRIPTION:

15" (380mm) woofer with 3" (76mm) coil
1" (25mm) throat, 1.75" (44mm) coil diaphragm assembly
300 watt - 8 ohm

PART NO: DESCRIPTION



15410083 HF DIAPHRAGM

11465017 COMPLETE WOOFER
or
11465006 RE-CONE KIT
(not supplied with glue)

23031470 CROSSOVER ASSEMBLY
83661009 PROTECTION LAMP



**Please refer all repairs to a Qualified audio / electronics engineer.
240v ac mains is lethal if not teated with respect.**