

PRODUCT INFO:

MANF: RCF spa



audio -
AWorkshop.co.uk

Unit 17 Lynderswood Farm
London Road, Black Notley
Braintree, Essex CM77 8QN
Tel: 01245 361578
Fax: 01245 361357

email: sales@audio-workshop.co.uk

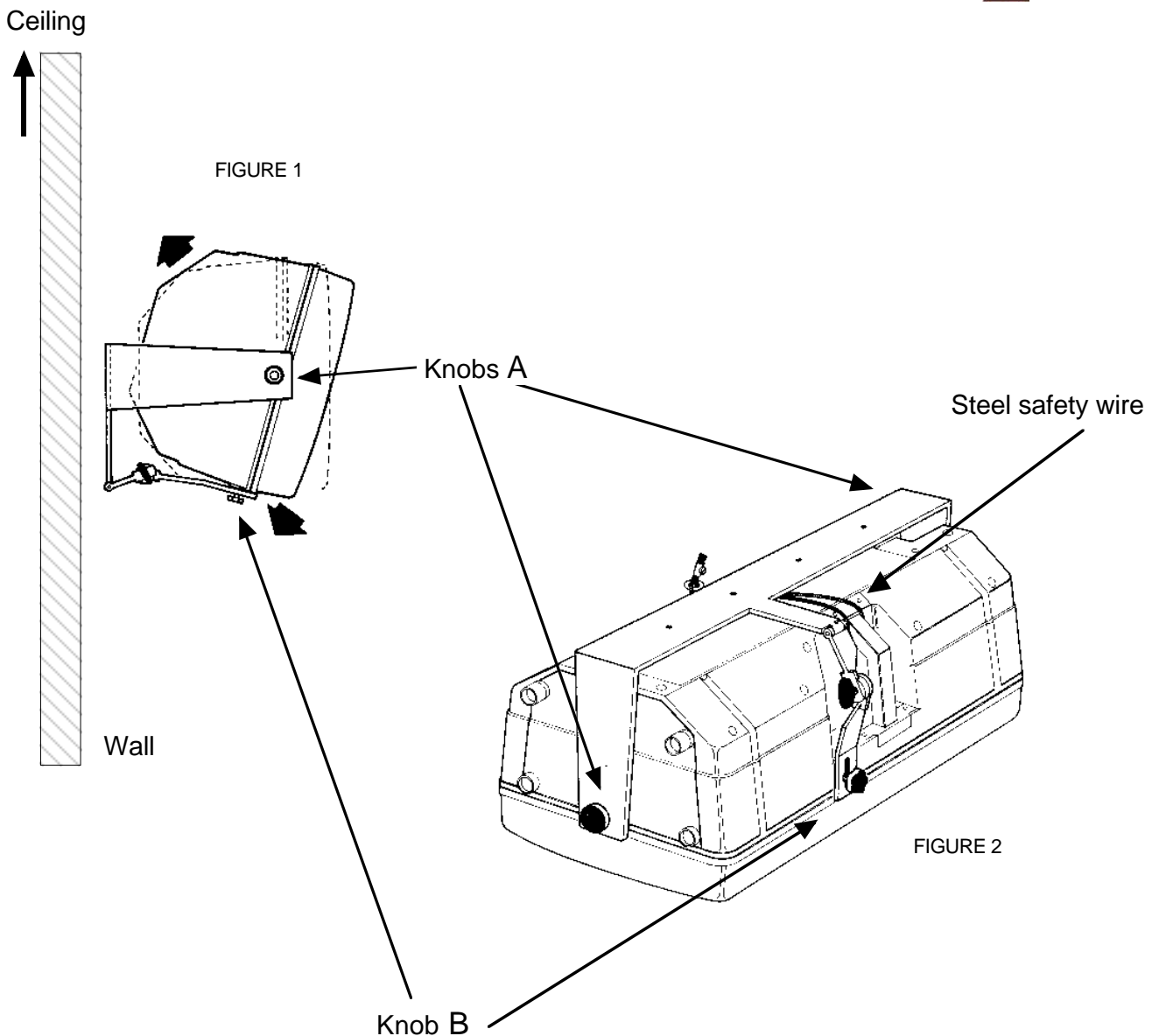
MODEL: ART - A9

DESCRIPTION:

Horizontal Installation Bracket for ART500 series

1. Attach the bracket securely to the wall.
2. Position the speaker on the bracket.
3. Set speaker to the desired inclination and lock the position using knobs A and B.
4. Attach the steel safety wire as shown in figure 2

5. **THIS BRACKET IS FOR HORIZONTAL MOUNTING ONLY**



**Please refer all repairs to a Qualified audio / electronics engineer.
240v ac mains is lethal if not teated with respect.**