

PRODUCT INFO:

MANF: RCF spa



audio -
AWworkshop.co.uk


Unit 17 Lynderswood Farm
London Road, Black Notley
Braintree, Essex CM77 8QN
Tel: 01245 361578
Fax: 01245 361357

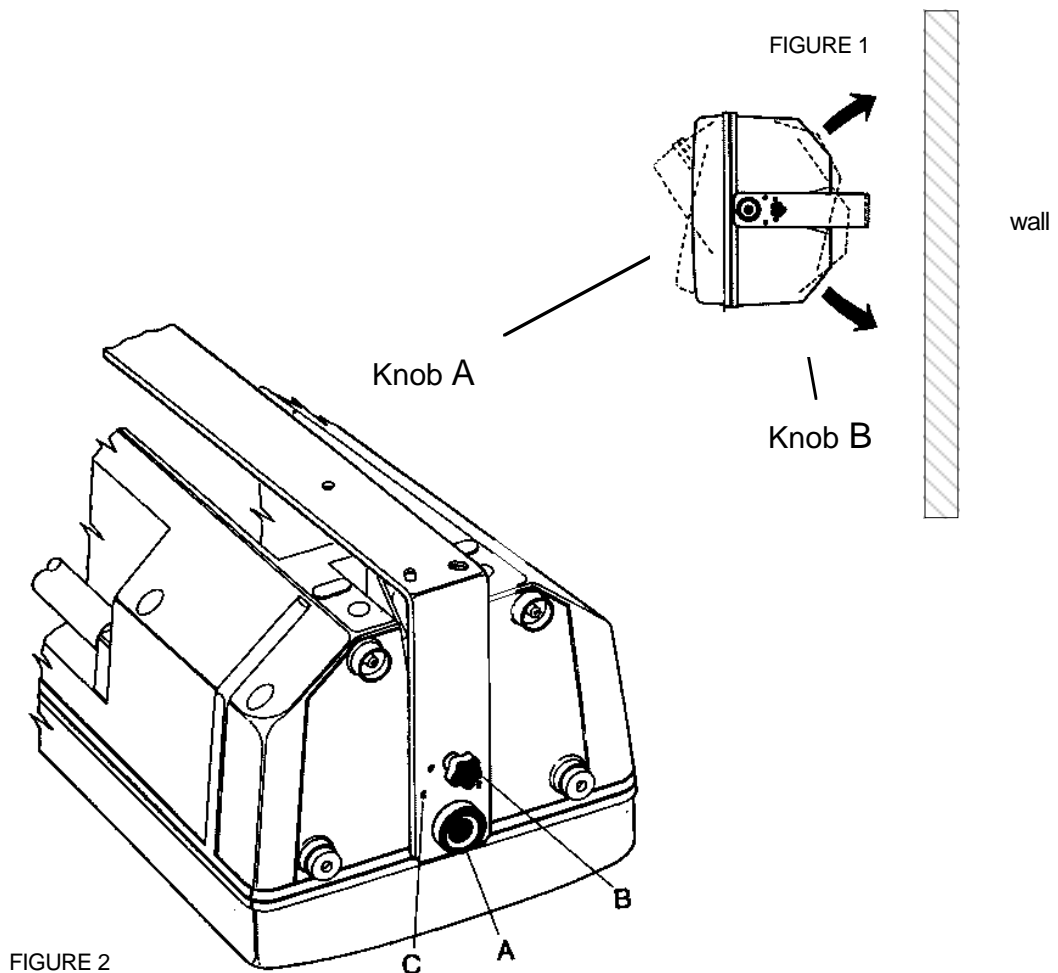
email: sales@audio-workshop.co.uk

MODEL: ART - A2

DESCRIPTION:

Wall (Horizontal) Installation Bracket for ART300 series.

1. Attach the bracket securely to the wall.
2. Position the speaker on the bracket.
3. Set speaker to the desired inclination and lock the position using knobs A and B
4. A selection of holes, C, are provided for fitting knob B thus changing the angle of the speaker.
5. Figure 1 shows side view, looking along wall
6. **THIS BRACKET IS FOR HORIZONTAL WALL MOUNTING ONLY** 



**Please refer all repairs to a Qualified audio / electronics engineer.
240v ac mains is lethal if not teated with respect.**